

**MR5000L
Ceiling Monitor Mount
for the MR5000 Series
Public Viewing System**

**Installation/
Operation Manual**

C221M-C (6/03)



Pelco World Headquarters • 3500 Pelco Way, Clovis, CA 93612-5699 USA • www.pelco.com

USA & Canada: Tel: 800/289-9100 • Fax: 800/289-9150

International: Tel: 1-559/292-1981 • Fax: 1-559/348-1120

IMPORTANT SAFEGUARDS AND WARNINGS

1. Read these instructions.
2. Keep these instructions.
3. Heed all warnings.
4. Follow all instructions.
5. Do not use this apparatus near water.
6. Do not install near any heat sources such as radiators, heat registers, stoves, or other apparatus (including amplifiers) that produce heat.
7. Only use attachments/accessories specified by the manufacturer.
8. Use only with the cart, stand, tripod, bracket, or table specified by the manufacturer, or sold with the apparatus. When a cart is used, use caution when moving the cart/apparatus combination to avoid injury from tip-over.
9. Refer all servicing to qualified service personnel. Servicing is required when the apparatus has been damaged in any way, such as when the power supply cord or plug is damaged, liquid has been spilled or objects have fallen into the apparatus, the apparatus has been exposed to rain or moisture, the apparatus does not operate normally, or the apparatus has been dropped.
10. Apparatus shall not be exposed to dripping or splashing, and no objects filled with liquids, such as vases, shall be placed on the apparatus.
11. **Warning:** To reduce the risk of fire or electric shock, do not expose this apparatus to rain or moisture.
12. To reduce the risk of shock, do not perform any servicing other than that contained in the operating instructions unless you are qualified to do so.
13. Unless the unit meets NEMA Type 3, 3R, 3S, 4, 4X, 6, or 6P standards, it is designed for indoor use only and must not be installed where exposed to rain and moisture.
14. Only use parts recommended by Pelco.
15. Use only installation methods and materials capable of supporting four times the maximum specified load.
16. Installation and servicing should be done only by qualified service personnel and conform to all local codes.
17. The MR5000L is to be secured to approved ceiling surfaces using the MRCA mount as stated in this manual in order to maintain its UL Listing and ETL Listing.
18. The MR5000L is to be secured to approved wall surfaces using the MRWA mount as stated in this manual in order to maintain its UL Listing and ETL Listing.
19. UL Listed when used with the PMC14F and PMC21A monitors.
20. ETL Listed when used with PMCS14A, PMCS17A and PMCS19A monitors.

The product and/or manual may bear the following marks:



This symbol indicates that dangerous voltage constituting a risk of electric shock is present within this unit.



This symbol indicates that there are important operating and maintenance instructions in the literature accompanying this unit.



Please thoroughly familiarize yourself with the information in this manual prior to installation and operation.

IMPORTANT

Refer to the following chart for recommended mounts, installation surfaces, and minimal hardware requirements.

Mount	Recommended Mounting Surface	Recommended Hardware
MRCA Ceiling Mount	Solid Concrete*	Four 5/16 x 2 3/4-inch strike anchors
	Wall board/2 x 4's	Two 5/16 x 2-inch lag bolts (bolts must be attached to stud)
	Plywood (3/4-inch construction grade)	Four 5/16 x 2-inch lag bolts
MRWA Wall Mount	Solid Concrete*	Three 5/16 x 2 3/4-inch strike anchors
	Hollow cinder block	Three 5/16 x 2 1/2-inch T-anchors
	Wall board/2 x 4's	Three 5/16 x 2-inch lag bolts (bolts must be attached to stud)
	Plywood (3/4-inch construction grade)	Four 5/16 x 2-inch lag bolts

*Recommended strength of concrete is 3600 psi or 25 Mpa.

DESCRIPTION

Pelco's MR5000 public viewing system is specifically designed for retail applications to provide a clear, visual warning to potential shoplifters that these premises are under surveillance. When properly installed the system is an effective deterrent against shoplifting.

Use the MR5000L to mount Pelco's PMCS19A and PMC21A monitors and other view station accessories (PCM5000 and ICS-DO101ABK) to a ceiling. The MR5000L can support loads up to 66 pounds (29.94 kg).

INSTALLATION

The following parts are supplied:

- 1 Mount arm
- 1 Rack base
- 2 Rack sides
- 1 1 1/2-inch NPT pipe
- 6 #8 x .50-inch, Phillips, pan head screws and finishing washers (use for PMC21A sides and feet)
- 2 M4 x 12 mm, Phillips, pan head screws and washers (use for PMCS19A feet)
- 2 M6 x 12 mm, Phillips, pan head screws and washers (use for PMCS19A sides)
- 2 10-32 x .375-inch, Phillips, pan head screws and lock washers
- 2 5/16-18 x .75-inch hex bolts and lock washers
- 2 End caps for top and bottom of mount arm
- 1 .50-inch hole plug
- 1 3/16-inch Allen wrench
- 1 3/32-inch Allen wrench (for set screws)
- 1 4 cc tube of anti-seize



CAUTION:

Refer to local electrical codes before installing these units. Local codes dictate how to prepare wiring for all equipment. Refer to Table A for video coaxial cable distances.

1 Prepare Video and Electrical Cabling

The MR5000L monitor mount is capable of providing a concealed wire installation. To conceal cables, pull cables through the feedthrough holes of the mount arm. Refer to Figure 1 for feedthrough hole locations. To feed cables through the top of the swivel collar, temporarily remove the top end cap from the mount arm (if installed) to assist in directing cables.

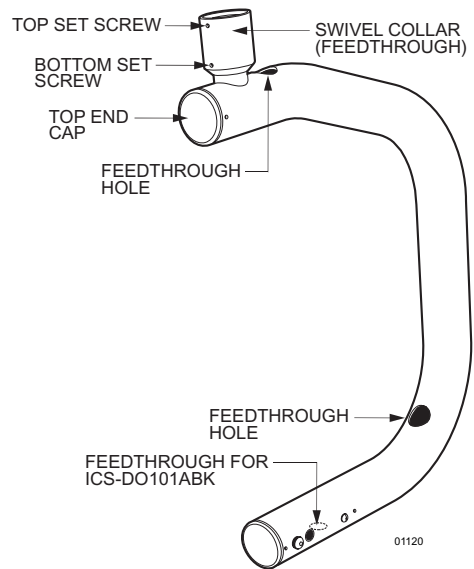


Figure 1. MR5000L Mount Arm

Table A. Video Coaxial Cable Requirements

Cable Type*	Maximum Distance
RG59/U	750 ft (229 m)
RG6/U	1,000 ft (305 m)
RG11/U	1,500 ft (457 m)

*Minimum cable requirements:

- 75 ohms impedance
- All-copper center conductor
- All-copper braided shield with 95% braid coverage

NOTE: The bottom set screw on the swivel collar is for positioning the mount arm. Refer to Figure 1. Finish the installation before adjusting the position of the system.

2 Install Mount Arm

- Install the MRWA wall mount (not supplied) or MRCA ceiling mount (not supplied). For installation surfaces and minimal hardware requirements, refer to page 2 of this manual.
- Apply anti-seize to the threads of the 1 1/2-inch NPT pipe (provided). Thread the swivel collar (at the top of the mount arm) onto the pipe.
- Tighten the top set screw on the swivel collar (refer to Figure 1) to secure the mount to the NPT pipe.

3 Assemble Monitor Rack

The monitor used will dictate the position of the rack sides; refer to Figure 2. Position and attach the rack sides to the mount base.

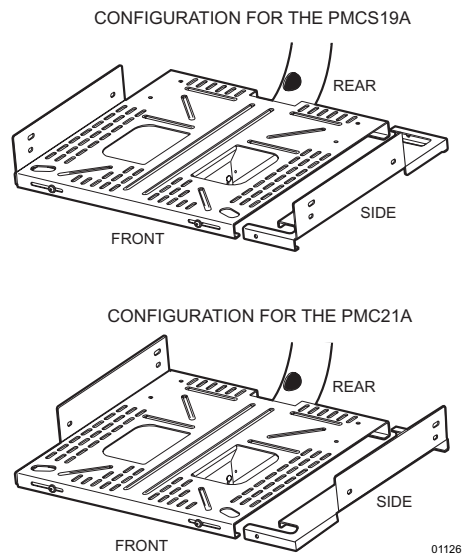


Figure 2. Monitor Rack Assembly

4 Position and Attach Monitor Rack to Mount Arm

- Place the monitor rack onto the bottom of the mount arm. Refer to Figure 3 and do the following to properly position the rack on the mount arm:

PMCS19A - Use the ① bolt hole position.

PMC21A - Use the ② bolt hole position.

- Use the 3/16-inch Allen wrench to secure the front of the monitor rack to the mount arm with two 5/16-18 x .75-inch, Allen head bolts and locking washers. Secure the back of the monitor rack with two 10-32 x .375-inch, black, Phillips, pan head screws and locking washers.

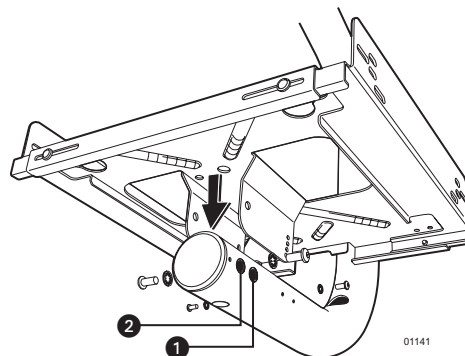


Figure 3. Attach Rack to Mount Arm

5 Install MR5000 Series Accessories

PCM5000 Light-Duty Camera Mount Assembly

a. The PCM5000 camera mount assembly can be installed on the top or bottom of the MR5000M mount arm. To install the camera assembly onto the MR5000 Series mount, refer to Figure 4 and do the following:

1. Pull video and electrical wire/cable for the camera out through the end of the mount arm. Make all camera video and electrical connections.
2. Place the end of the camera assembly into the end of the MR5000 Series monitor mount arm. Tighten the set screws to secure the camera assembly.

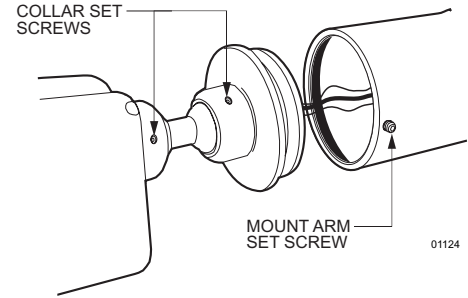


Figure 4. PCM5000 Installation

b. Refer to the manuals supplied with the camera and the PCM5000 for detailed installation and operation instructions.

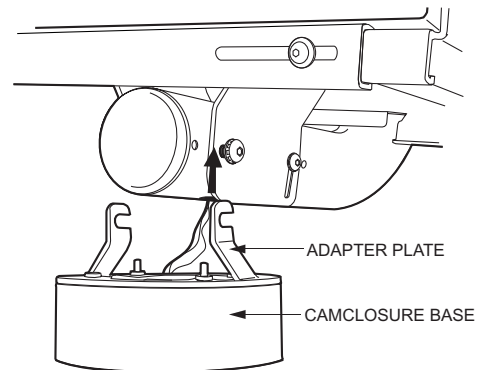
ICS-DO101ABK Camclosure Integrated Camera System

a. Refer to Figure 5 and do the following to attach the adapter plate of the ICS-DO101ABK to the base of the ICS-DO101ABK:

1. Align the adapter plate to the base of the ICS-DO101ABK.
2. Use the two 10-32x .375-inch, pan head screws and internal lock washers to attach the base of the ICS-DO101ABK to the adapter plate.

b. Prepare the video and electrical cabling for the ICS-DO101ABK:

1. Feed the 42-inch video cable (provided) through the monitor feedthrough hole in the mount arm and out the end of the mount arm.
2. Pull power wires through the ICS-DO101ABK feedthrough (refer to Figure 1) located at the bottom of the mount arm. Remove the .50-inch plug if it is installed.
3. Pull wires through the adapter plate of the ICS-DO101ABK and into the base of the ICS-DO101ABK.
4. Use the supplied 3/16-inch Allen wrench to slightly loosen (**do not remove**) the two 5/16-18 x .75-inch, Allen, pan head screws that secure the MR5000M mount base to the mount arm.
5. Feed the video cable attached to the ICS-DO101ABK back box through the ICS-DO101ABK feedthrough in the mount arm.
6. Hook the adapter plate over the loosened screws (refer to Figure 5). Tighten the screws to secure the adapter plate to the mount.



NOTE: POSITION THE BASE SO THAT THE CONDUIT COVER IS TURNED TOWARDS THE BACK OF THE MOUNT.

01125

Figure 5. ICS-DO101ABK Installation

NOTE: Reattach the back feet to the monitor if it is used in an installation other than described in this manual. Only use the following hardware to attach feet:

PMC21A

Two #8 x .50-inch Phillips pan head screws and finishing washers (supplied, see page 4)

PMCS19A

Two M4 x 12 mm Phillips pan head screws and finishing washers (supplied, see page 4)

Do not use any other type of hardware to attach the back feet to the monitor.



CAUTION:

Secure the mount rack before installing the monitor.

6 Prepare Monitor for Installation

Refer to Figure 6 and remove the monitor's back feet and side screws.

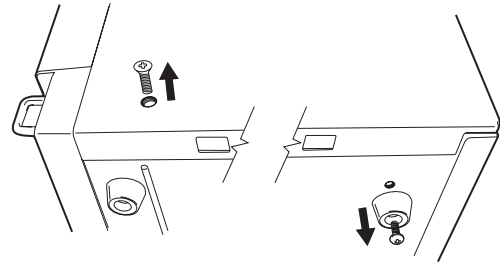


Figure 6. Prepare Monitor

7 Install Monitor

a. Verify that the monitor rack is level. Place the monitor onto the monitor rack. For proper installation, the front feet of the monitor should be in the holes in the front of the rack. Refer to Figure 7.

b. Use the following hardware to secure the back of the monitor to the rack:

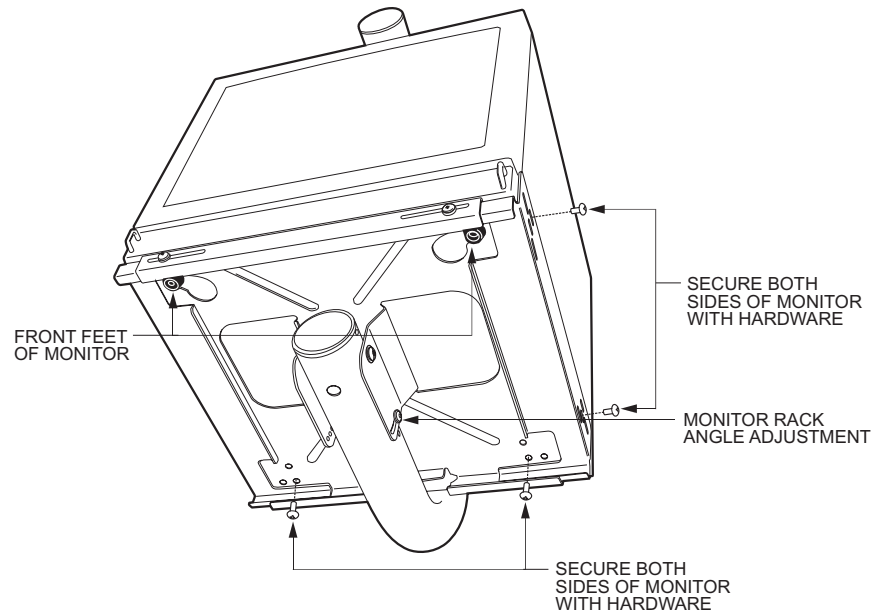
PMCS19A - Two M4 x 12 mm, black, Phillips, pan head screws (provided).

PMC21A - Two #8 x .50-inch, black, Phillips, pan head screws (provided).

c. Adjust the sides of the rack to fit against the sides of the monitor. Use the following hardware to secure the monitor to the rack sides:

PMCS19A - Use the two M6 x 12 mm, Phillips, pan head screws and washers (provided).

PMC21A - Four #8 x .50-inch, black, Phillips, pan head screws (provided).



NOTE: THE POSITION OF THE FRONT FEET AND BACK FEET MOUNT HOLES WILL VARY WITH MONITOR MODEL.

01121

Figure 7. Install Monitor



CAUTION:
Secure the monitor to the rack before adjusting the angle of the rack.

8 Connect Video and Power to Monitor

- a. Connect the video cable to the BNC video input on the rear panel of the monitor.
- b. Plug the power cable into the AC INLET connection on the rear panel of the monitor. Refer to the manual supplied with the monitor for operating instructions.

9 Final Adjustments

- a. Monitor Rack - Refer to Figure 7 and adjust the monitor angle. The rack is adjustable in 5-degree increments up to a 15-degree angle.
- b. Mount Arm - Turn mount arm to desired position. Tighten the bottom set screw on the swivel collar to secure in place.

WARRANTY AND RETURN INFORMATION

WARRANTY

Pelco will repair or replace, without charge, any merchandise proved defective in material or workmanship for a period of one year after the date of shipment. Exceptions to this warranty are as noted below:

- Five years on Pelco manufactured cameras (CC3500/CC3600/CC3700 and MC3500/MC3600 Series); two years on all other cameras.
- Three years on Genex® Series (multiplexers, server, and keyboard) and 090 Series Camclosure® Camera System.
- Two years on 100/150, 200, and 300 Series Camclosure Camera Systems.
- Two years on all standard motorized or fixed focal length lenses.
- Two years on Legacy®, CM6700/CM6800/CM6800E/CM8500/CM9500/CM9740/CM9760 Matrix, DF5 and DF8 Series Fixed Dome products.
- Two years on Spectra®, Esprit®, and PS20 Scanners, including when used in continuous motion applications.
- Two years on Esprit and WW5700 series window wiper (excluding wiper blades).
- Eighteen months on DX Series digital video recorders.
- One year (except video heads) on video cassette recorders (VCRs). Video heads will be covered for a period of six months.
- Six months on all pan and tilts, scanners or preset lenses used in continuous motion applications (that is, preset scan, tour and auto scan modes).

Pelco will warrant all replacement parts and repairs for 90 days from the date of Pelco shipment. All goods requiring warranty repair shall be sent freight prepaid to Pelco, Clovis, California. Repairs made necessary by reason of misuse, alteration, normal wear, or accident are not covered under this warranty.

Pelco assumes no risk and shall be subject to no liability for damages or loss resulting from the specific use or application made of the Products. Pelco's liability for any claim, whether based on breach of contract, negligence, infringement of any rights of any party or product liability, relating to the Products shall not exceed the price paid by the Dealer to Pelco for such Products. In no event will Pelco be liable for any special, incidental or consequential damages (including loss of use, loss of profit and claims of third parties) however caused, whether by the negligence of Pelco or otherwise.

The above warranty provides the Dealer with specific legal rights. The Dealer may also have additional rights, which are subject to variation from state to state.

If a warranty repair is required, the Dealer must contact Pelco at (800) 289-9100 or (559) 292-1981 to obtain a Repair Authorization number (RA), and provide the following information:

1. Model and serial number
2. Date of shipment, P.O. number, Sales Order number, or Pelco invoice number
3. Details of the defect or problem

If there is a dispute regarding the warranty of a product which does not fall under the warranty conditions stated above, please include a written explanation with the product when returned.

Method of return shipment shall be the same or equal to the method by which the item was received by Pelco.

RETURNS

In order to expedite parts returned to the factory for repair or credit, please call the factory at (800) 289-9100 or (559) 292-1981 to obtain an authorization number (CA number if returned for credit, and RA number if returned for repair).

All merchandise returned for credit may be subject to a 20% restocking and refurbishing charge.

Goods returned for repair or credit should be clearly identified with the assigned CA or RA number and freight should be prepaid. Ship to the appropriate address below.

If you are located within the continental U.S., Alaska, Hawaii or Puerto Rico:
Service Department
Pelco
3500 Pelco Way
Clovis, CA 93612-5699

If you are located outside the continental U.S., Alaska, Hawaii or Puerto Rico:

Intermediate Consignee	Ultimate Consignee
American Overseas Air Freight	Pelco
320 Beach Road	3500 Pelco Way
Burlingame, CA 94010	Clovis, CA 93612-5699
USA	USA

REVISION HISTORY

Manual #	Date	Comments
C221M	9/01	Original version.
C221M-A	9/02	Revised <i>Important Safeguards and Warnings</i> and added an installation warning.
C221M-B	2/03	Supplied hardware revised.
C221M-C	6/03	Added ETL Listing and revised Safeguards and Warnings.

® Pelco, the Pelco logo, Spectra, Genex, Esprit, Camclosure, and Legacy are registered trademarks of Pelco.

© Copyright 2003, Pelco.
All rights reserved.